

REV.	ECN NO.	LOCATIONS	DESCRIPTION	DATE	DESIGN
A1			Update waterproof ring dimension	03/17'26	Wind

ORDERING INFORMATION

MCCFT - W1Z1 (XX T)

- ①
- ②
- ③

CUSTOMER DRAWING

RoHS Compliant

① PRODUCT SERIES:

USB C TYPE connector -
Receptacle (Female) side.

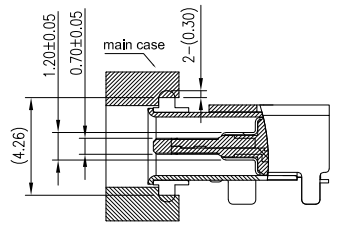
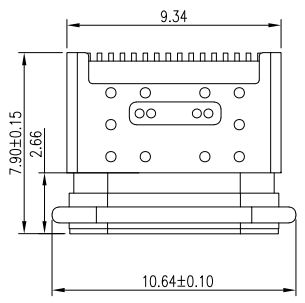
③ GOLD PLATING :

- 01: G/F.
- 03: 3u".
- 05: 5u".
- 30: 30u".

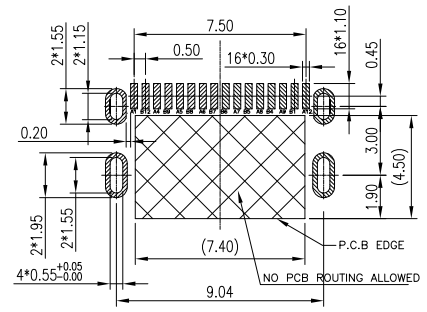
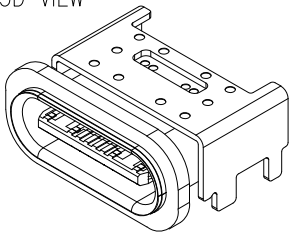
② ITEM NO.:

Right Angle- Single Row 16pin
Standard on board Type/DIP
Waterproof IPX8

PANEL CUT-OUT REFERENCE



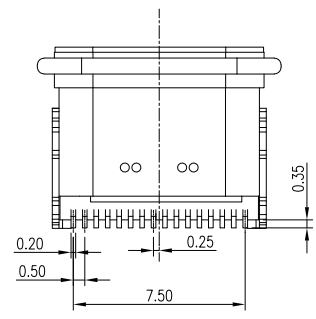
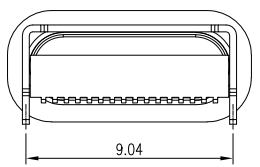
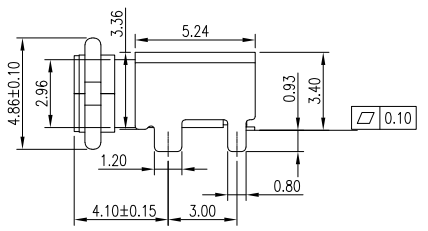
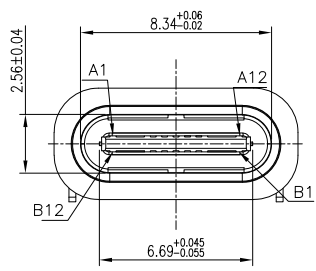
3D VIEW



RECOMMENDED PCB LAYOUT
(Tolerance=±0.05)

NOTES:

1. Material:
 - 1-1. Housing: High Temp, UL94 V-0, Black color.
 - 1-2. Contact: Copper Alloy.
 - 1-3. Mid Plate: Stainless Steel.
 - 1-4. Shell: Stainless Steel.
 - 1-5. Waterproof Ring: Silicon.
2. Plating:
 - 2-1. Contacts: Gold on contact area; Tin on solder tails. Nickel under plated over all.
 - 2-2. Shell: Nickel under plated over all.
 - 2-3. Mid Plate: Clear only.
3. Mechanical performance:
 - 3-1. Insertion force: 0.5~2.0Kgf.
 - 3-2. Removal force: 0.8~2.0Kgf.
 - 3-3. Durability: 10,000 cycles.
4. Electrical performance:
 - 4-1. Current rating: 5.0A max.
 - 4-2. Voltage rating: 5.0V DC/AC max.
5. Environmental performance:
 - 5-1. Operation temperature: -40°C~+85°C.
6. Waterproof performance: IPX8.



PIN ASSIGNMENT

PIN NO.	A1&B12	A4&B9	B8	A5	B7	A6	A7	B6	A8	B5	A9&B4	A12&B1
SIGNAL NAME	GND	VBUS	SBU2	CC1	DN2	DP1	DN1	DP2	SBU1	CC2	VBUS	GND

DIM	TOL	DIM	TOL
X.X	±0.30	X.X'	±3.0'
X.XX	±0.20	X.XX'	±2.0'
X.XXX	±0.10	X.XXX'	±1.0'

SUNFUN		SUNFUN TECHNOLOGY LTD			
DRAW NO.	MCCFT-W1Z1(A1)	DATE	03/17'26	MATERIAL:	SEE NOTES
DESIGN:	Wind	DATE	03/17'26	FINISH:	SEE NOTES
CHECK:	Wind	DATE	03/17'26	FILE:	MCCFT-W1Z1(A1)
REVIEW:	Johnson	DATE	03/17'26	P/N:	MCCFT-W1Z1(XXT)
APPROVED	Johnson	DATE	03/17'26	REV. A1	SCALE
			DRAW NAME: USB C Type CONN - FEMALE Right Angle/ Single Row 16pin/ Standard on board Type Waterproof IPX8		
			MODEL: USB C TYPE CONN		
UNIT: mm		SHEET: 1/1			